

AM-NF

ELIPSE™

Narrow LED Multiple Recessed Downlight –
Trimless
LED modules, 20W max.

Job Information		
Project Name		Type
Location		
Quantity		Date
Contact/Phone		
Notes		

Features

Housing

Constructed of 22ga painted steel. The housing is supplied with a plate to allow the junction box installation to be accessible from below the ceiling.

Junction Box

3" x 4-7/8" x 3-1/2" #17ga galvanized steel. cCSAus listed for maximum of eight no. 12 AWG 90°C through branch circuit conductors.

Mounting

Can accommodate a 1/2" to 1-3/4" ceiling thickness. The fixture is supplied with channel brackets that allow up to 5" vertical adjustment. The channel brackets can accommodate 1/2" EMT conduit or ALB-27 hanger bars.

Lamp Holders

Adjustable up to 45° tilt and 358° rotation to allow for spotlight into multiple directions.

Electrical

Integral electronic driver with 120V up to 277V* input. Replacement of driver is accessible through ceiling opening via access door on housing wall. Driver has a 0.9 power factor & 20% THD. Dimmable 100-10% using 0-10V dimmer.

System Protection

Thermally protected via an RP1B attached to the junction box to guard against misuse of insulation around the fixture and overheating of the fixture.

Trimless

Trimless design. Perforated mesh frame provided, which adheres to the ceiling compound for seamless and trimless mounting.

LED Module

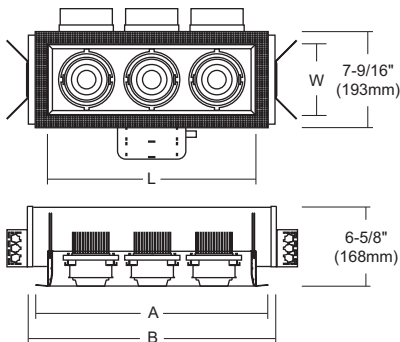
High powered 20W LED module maintains uniform intensity with a typical luminous flux up to 862lm per LED chip,

and with a minimum CRI of 80. With 70% lumen maintenance at 50,000 hours and a 3000K nominal colour temperature. The LED chip is provided with a mechanical clamp and twist and lock reflector. A passive aluminum heat sink is attached to each module to provide lower operating temperature.



Description

The AM-NF is a modern and aesthetically pleasing alternative to track or standard recessed installations. Available in 1 to 4 light configurations, this multi-luminaire fixture blends into the ceiling while each lamp configuration is individually adjustable. Available with narrow, medium or wide beam spread.



No. of Lamps	A	B	Fixture Opening W x L	Ceiling Cut-Out W x L
1	8-3/8" 213mm	7-5/8" 194mm	5-9/16" x 5-11/16" 141mm x 144mm	6-5/16" x 6-5/16" 160mm x 160mm
2	13-1/2" 343mm	13-1/8" 333mm	5-9/16" x 10-13/16" 141mm x 275mm	6-5/16" x 11-7/16" 160mm x 291mm
3	18-5/8" 473mm	20-1/8" 511mm	5-9/16" x 15-7/8" 141mm x 403mm	6-5/16" x 16-9/16" 160mm x 421mm
4	23-3/4" 603mm	27-1/8" 689mm	5-9/16" x 21" 141mm x 533mm	6-5/16" x 21-11/16" 160mm x 551mm



Notes: Accessories should be ordered separately. For additional options please consult your A-Line Lighting representative. Due to our continued efforts to improve our products, product specifications are subject to change without notice.

Ordering Guide

AM-NF	No. of Lamps	Lamp / Wattage	Colour Temp.	Beam Spread	Voltage	Inner Trim & Heads
	1 : 1 Lamp 2 : 2 Lamps 3 : 3 Lamps 4 : 4 Lamps	L20 : 20W LED	3 : 3000K	N : Narrow (18°) M : Medium (36°) W : Wide (48°)	120 : 120V * For 277V consult factory	BK : Black WH : White CUS : Custom

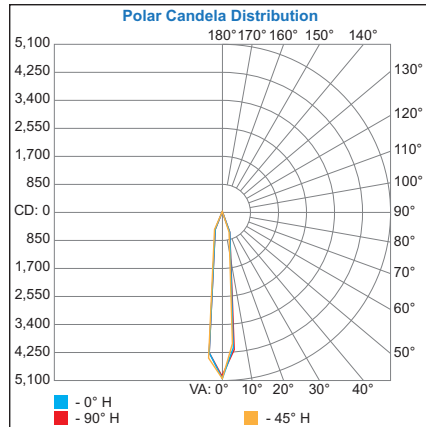
Example: AM-NF4-L203M-120-BK

Photometry

A-Line 20W LED Multiple
N : Narrow (18°)

Zonal Lumen Summary

Zone	Lumens	% Luminaire
0-30	708.0	92.8%
0-40	729.5	95.6%
0-60	751.4	98.4%
60-90	11.9	1.6%
0-90	763.3	100.0%



Illuminance at a Distance

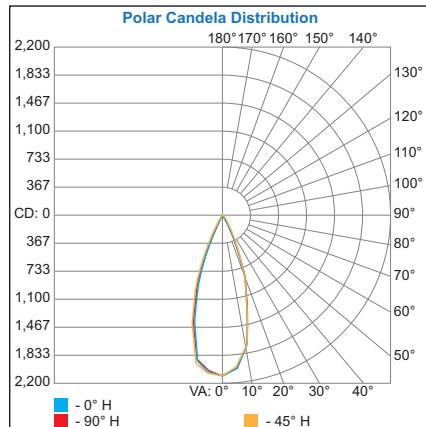
	Center Beam FC	Beam Width	
8.3ft	72.32 fc	2.5ft	2.4ft
16.7ft	18.08 fc	5.0ft	4.8ft
25.0ft	8.04 fc	7.5ft	7.2ft
33.3ft	4.52 fc	10.0ft	9.7ft
41.7ft	2.89 fc	12.5ft	12.1ft
50.0ft	2.01 fc	14.9ft	14.5ft

■ Vert. Spread: 17.0° ■ Horiz. Spread: 16.5°

A-Line 20W LED Multiple
M : Medium (36°)

Zonal Lumen Summary

Zone	Lumens	% Luminaire
0-30	767.0	90.8%
0-40	812.0	96.1%
0-60	835.1	98.9%
60-90	9.7	1.1%
0-90	844.8	100.0%



Illuminance at a Distance

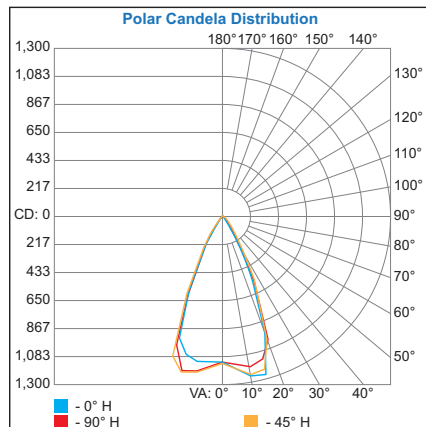
	Center Beam FC	Beam Width	
8.3ft	30.32 fc	5.4ft	5.6ft
16.7ft	7.58 fc	10.9ft	11.1ft
25.0ft	3.37 fc	16.3ft	16.7ft
33.3ft	1.90 fc	21.8ft	22.3ft
41.7ft	1.21 fc	27.2ft	27.8ft
50.0ft	0.84 fc	32.6ft	33.4ft

■ Vert. Spread: 36.2° ■ Horiz. Spread: 37.0°

A-Line 20W LED Multiple
W : Wide (48°)

Zonal Lumen Summary

Zone	Lumens	% Luminaire
0-30	707.8	82.2%
0-40	804.8	93.5%
0-60	851.6	98.9%
60-90	9.2	1.1%
0-90	860.8	100.0%



Illuminance at a Distance

	Center Beam FC	Beam Width	
8.3ft	16.35 fc	7.5ft	5.5ft
16.7ft	4.09 fc	15.0ft	11.1ft
25.0ft	1.82 fc	22.5ft	16.6ft
33.3ft	1.02 fc	30.0ft	22.1ft
41.7ft	0.65 fc	37.5ft	27.6ft
50.0ft	0.45 fc	45.0ft	33.2ft

■ Vert. Spread: 48.5° ■ Horiz. Spread: 36.7°