

# AM-NT

ELIPSE™

Narrow LED Multiple Recessed Downlight with Overlap Trim

LED modules, 20W max.

Job Information		
Project Name		Type
Location		
Quantity		Date
Contact/Phone		
Notes		

## Features

### Housing

Constructed of 22ga painted steel. The housing is supplied with a plate to allow the junction box installation to be accessible from below the ceiling.

### Junction Box

3" x 4-7/8" x 3-1/2" #17ga galvanized steel. cCSAus listed for maximum of eight no. 12 AWG 90°C through branch circuit conductors.

### Mounting

Can accommodate a 1/2" to 1-3/4" ceiling thickness. The fixture is supplied with channel brackets that allow up to 5" vertical adjustment. The channel brackets can accommodate 1/2" EMT conduit or ALB-27 hanger bars.

### Lamp Holders

Adjustable up to 45° tilt and 358° rotation to allow for spotlight into multiple directions.

### Electrical

Integral electronic driver with 120V up to 277V\* input. Replacement of driver is accessible through ceiling opening via access door on housing wall. Driver has a 0.9 power factor & 20% THD. Dimmable 100-10% using 0-10V dimmer.

### System Protection

Thermally protected via an RP1B attached to the junction box to guard against misuse of insulation around the fixture and overheating of the fixture.

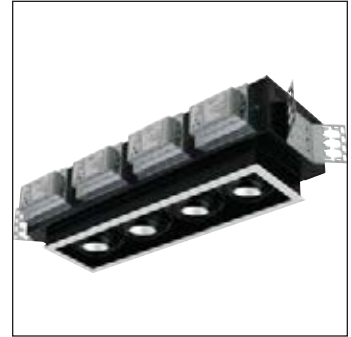
### Trim

Trim frame comes with LED module(s) installed, available in black and white. For any custom colour contact factory for availability. The trim also includes torsion springs for convenient installation or removal from housing.

### LED Module

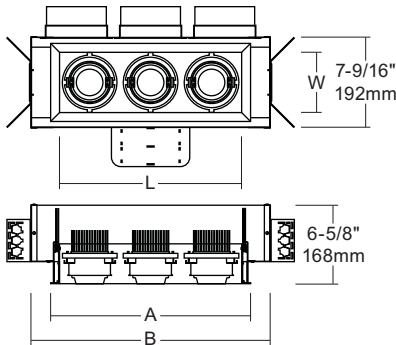
High powered 20W LED module

maintains uniform intensity with a typical luminous flux up to 862lm per LED chip, and with a minimum CRI of 80. With 70% lumen maintenance at 50,000 hours and a 3000K nominal colour temperature. The LED chip is provided with a mechanical clamp and twist and lock reflector. A passive aluminum heat sink is attached to each module to provide lower operating temperature.



## Description

The AM-NT is a modern and aesthetically pleasing alternative to track or standard recessed installations. Available in 1 to 4 light configurations, this multi-luminaire fixture blends into the ceiling while each lamp configuration is individually adjustable. Available with narrow, medium or wide beam spread.



No. of Lamps	A	B	Fixture Opening W x L	Ceiling Cut-Out W x L
1	6-9/16" 167mm	7-5/8" 194mm	5-1/16" x 5-1/16" 129mm x 129mm	6-5/16" x 6-5/16" 160mm x 160mm
2	11-11/16" 297mm	13-1/8" 333mm	5-1/16" x 10-3/16" 129mm x 259mm	6-5/16" x 11-7/16" 160mm x 291mm
3	16-13/16" 427mm	20-1/8" 511mm	5-1/16" x 15-5/16" 129mm x 389mm	6-5/16" x 16-9/16" 160mm x 421mm
4	21-15/16" 557mm	27-1/8" 689mm	5-1/16" x 20-7/16" 129mm x 519mm	6-5/16" x 21-11/16" 160mm x 551mm



**Notes:** Accessories should be ordered separately. For additional options please consult your A-Line Lighting representative. Due to our continued efforts to improve our products, product specifications are subject to change without notice.

## Ordering Guide

AM-NT - [No. of Lamps] - [Lamp / Wattage] - [Colour Temp.] - [Beam Spread] - [Voltage] - [Inner Trim & Heads]

1 : 1 Lamp  
 2 : 2 Lamps  
 3 : 3 Lamps  
 4 : 4 Lamps

L20 : 20W LED

3 : 3000K

N : Narrow (18°)  
 M : Medium (36°)  
 W : Wide (48°)

120 : 120V

\* For 277V consult factory

BK : Black  
 WH : White  
 CUS : Custom

### NOTE

Flange default colour is white for both black and white LED multiples.

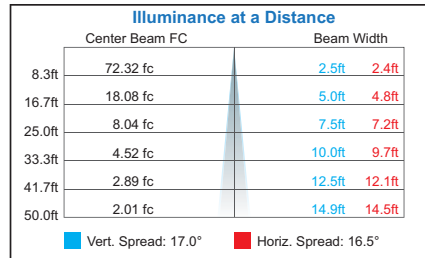
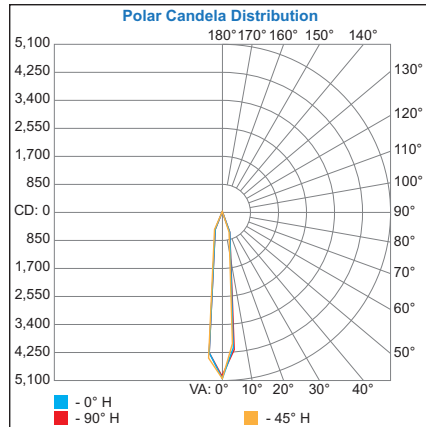
Example: AM-NT4-L203M-120-BK

## Photometry

A-Line 20W LED Multiple  
**N** : Narrow (18°)

### Zonal Lumen Summary

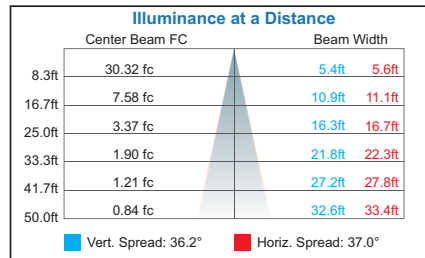
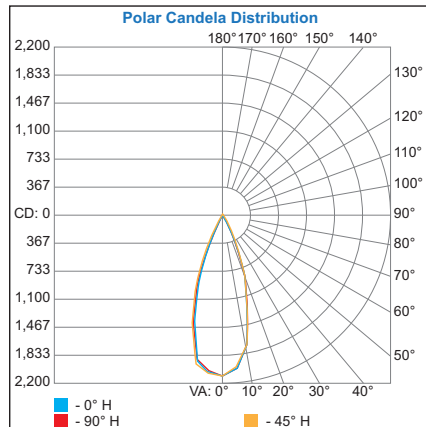
Zone	Lumens	% Luminaire
0-30	708.0	92.8%
0-40	729.5	95.6%
0-60	751.4	98.4%
60-90	11.9	1.6%
0-90	763.3	100.0%



A-Line 20W LED Multiple  
**M** : Medium (36°)

### Zonal Lumen Summary

Zone	Lumens	% Luminaire
0-30	767.0	90.8%
0-40	812.0	96.1%
0-60	835.1	98.9%
60-90	9.7	1.1%
0-90	844.8	100.0%



A-Line 20W LED Multiple  
**W** : Wide (48°)

### Zonal Lumen Summary

Zone	Lumens	% Luminaire
0-30	707.8	82.2%
0-40	804.8	93.5%
0-60	851.6	98.9%
60-90	9.2	1.1%
0-90	860.8	100.0%

