

# AM-WF

## ELIPSE™

Wide Multiple Recessed Downlight  
Trimless

Job Information		
Project Name		Type
Location		
Quantity		Date
Contact/Phone		
Notes		

### Features

#### Housing

Constructed of 22ga steel painted in black, white or silver. The housing is supplied with a plate to allow the junction box installation to be accessible from below the ceiling.

#### Junction Box

3" x 4-7/8" x 3-1/2" #17ga galvanized steel. UL listed for maximum of eight #12AWG 90°C through branch circuit conductors.

#### Mounting

Can accommodate a 1/2" to 1-3/4" ceiling thickness. The fixture is supplied with channel brackets that allow up to 5" vertical adjustment. The channel brackets can accommodate 1/2" EMT or ALB-27 hanger bars for T-bar grid ceiling installation.

#### Lamp Holders

Adjustable up to 45° tilt and 358°

rotation to allow for spot light into multiple directions.

#### Electrical

Integral magnetic or electronic transformer with 120V or 347V input. Replacement of transformers are accessible through ceiling opening via access door on housing wall.

#### System Protection

Electronic: Thermally protected via an RP1B attached to the junction box to guard against misuse of insulation around the fixture and overheating of the fixture.

Magnetic: Transformer has integral thermal protection.

#### Trim

Trimless design. Perforated mesh frame provided, which adheres to the ceiling compound for seamless and trimless mounting.

#### Labels

cULus listed for through branch wiring.

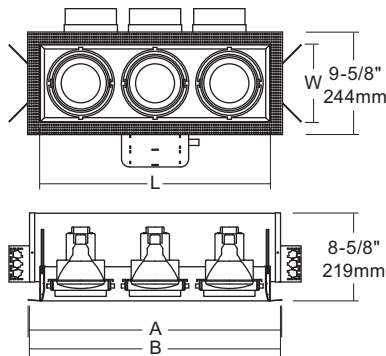


### Description

The AM-WF is an architecturally styled wide recessed multiple downlight specifically designed for a broad selection of lamping options. With its compact size, the AM-WF is engineered for easy installation and removal of lamping and providing full access to all parts from below the ceiling. AM-WF is ideal for any retail or commercial accent and display lighting, or any environment that could benefit from the aesthetic appeal of a clean ceiling. The AM-WF offers a trimless design to provide a seamless flush ceiling application.



**Notes:** Accessories should be ordered separately. For additional options please consult your A-Line Lighting representative. Due to our continued efforts to improve our products, product specifications are subject to change without notice.



No. of Lamps	A	B	Fixture Opening W x L	Ceiling Cut-Out W x L
1	10-7/16" 265mm	9-5/8" 244mm	7-1/2" x 7-11/16" 191mm x 195mm	8-1/16" x 8-3/8" 205mm x 213mm
2	17-11/16" 449mm	17-1/8" 435mm	7-1/2" x 15" 191mm x 381mm	8-1/16" x 15-5/8" 205mm x 397mm
3	25" 635mm	24-9/16" 624mm	7-1/2" x 22-1/4" 191mm x 565mm	8-1/16" x 22-15/16" 205mm x 583mm
4	32-5/16" 821mm	33-5/8" 854mm	7-1/2" x 29-1/2" 191mm x 749mm	8-1/16" x 30-3/16" 205mm x 767mm

### Ordering Guide

AM-WF	No. of Lamps	Lamp Type	Wattage	Beam Spread	Voltage	Body Colour
	--	--	--	--	--	--
	1 : 1 lamp 2 : 2 lamps 3 : 3 lamps 4 : 4 lamps	P38 : 120V, PAR38, 150W max. P38MH : 120V/347V, PAR38CMH, 100W max. T6 : 120V/347V, T6MH, 70W max.		70 : 70W 100 : 100W 150 : 150W	N : Narrow M : Medium W : Wide	120 : 120V 347 : 347V
						BK : Black WH : White SL : Silver CUS : Custom*

Example: AM-WF4-P38150-120-WH

\* Consult factory for available custom colours.

## Accessories



**AM-WXLVR**  
Cross Louver



**AM-WHXLVR**  
Hex Cell Louver



**AM-WLNLNS**  
Linear Spread Lens



**AM-WUVLNS**  
UV Lens



**AM-WFRWLNS**  
Milk White Lens



Snoot



Cross Louver



## Photometrics

Photometric test data was not available at time of production of this spec sheet.  
Photometric testing will be conducted as per IESNA Standard.