

Job Information		
Project Name		Type
Location		
Quantity		Date
Contact/Phone		
Notes		

AM-WT

ELIPSE™

Wide Multiple Recessed Downlight Overlap Trim

Features

Housing

Constructed of 22ga steel painted in black, white or silver. The housing is supplied with a plate to allow the junction box installation to be accessible from below the ceiling.

Junction Box

3" x 4-7/8" x 3-1/2" #17ga galvanized steel. UL listed for maximum of eight #12AWG 90°C through branch circuit conductors.

Mounting

Can accommodate a 1/2" to 1-3/4" ceiling thickness. The fixture is supplied with channel brackets that allow up to 5" vertical adjustment. The channel brackets can accommodate 1/2" EMT or ALB-27 hanger bars for T-bar grid ceiling installation.

Lamp Holders

Adjustable up to 45° tilt and 358°

rotation to allow for spot light into multiple directions.

Electrical

Integral magnetic or electronic transformer with 120V or 347V input. Replacement of transformers are accessible through ceiling opening via access door on housing wall.

System Protection

Electronic: Thermally protected via an RP1B attached to the junction box to guard against misuse of insulation around the fixture and overheating of the fixture.

Magnetic: Transformer has integral thermal protection.

Trim

Extruded trim frame comes with lamp holders installed, and is available in black, white, silver or any custom colour (contact factory for availability). The

trim also includes torsion springs for convenient installation or removal from housing.

Labels

cULus listed for through branch wiring.

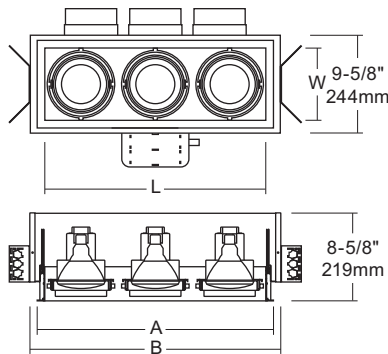


Description

The AM-WT is an architecturally styled wide recessed multiple downlight specifically designed for a broad selection of lamping options. With its compact size, the AM-WT is engineered for easy installation and removal of lamping and providing full access to all parts from below the ceiling. AM-WT is ideal for any retail or commercial accent and display lighting, or any environment that could benefit from the aesthetic appeal of a clean ceiling.



Notes: Accessories should be ordered separately. For additional options please consult your A-Line Lighting representative. Due to our continued efforts to improve our products, product specifications are subject to change without notice.



No. of Lamps	A	B	Fixture Opening W x L	Ceiling Cut-Out W x L
1	8-9/16" 217mm	9-5/8" 244mm	7-1/8" x 7-1/16" 181mm x 179mm	8-1/16" x 8-3/8" 205mm x 213mm
2	15-5/8" 397mm	17-1/8" 435mm	7-1/8" x 14-3/8" 181mm x 365mm	8-1/16" x 15-5/8" 205mm x 397mm
3	23-1/8" 587mm	24-9/16" 624mm	7-1/8" x 21-5/8" 181mm x 549mm	8-1/16" x 22-15/16" 205mm x 583mm
4	30-7/16" 773mm	33-5/8" 854mm	7-1/8" x 28-15/16" 181mm x 735mm	8-1/16" x 30-3/16" 205mm x 767mm

Ordering Guide

AM-WT	No. of Lamps	Lamp Type	Wattage	Beam Spread	Voltage	Body Colour	Trim Colour
	--	--	--	--	--	--	--
	1 : 1 lamp 2 : 2 lamps 3 : 3 lamps 4 : 4 lamps	P38 : 120V, PAR38, 150W max. P38MH : 120V/347V, PAR38CMH, 100W max. T6 : 120V/347V, T6MH, 70W max.	70 : 70W 100 : 100W 150 : 150W	N : Narrow M : Medium W : Wide	120 : 120V 347 : 347V	BK : Black WH : White SL : Silver CUS : Custom*	BK : Black WH : White SL : Silver CUS : Custom*

Example: AM-WT2-P38MH100-347-BK-SL

* Consult factory for available custom colours.

Accessories



AM-WXLVR
Cross Louver



AM-WHXLVR
Hex Cell Louver



AM-WLNLNS
Linear Spread Lens



AM-WUVLNS
UV Lens



AM-WFRWLNS
Milk White Lens



Snoot



Cross Louver



Photometrics

Photometric test data was not available at time of production of this spec sheet.
Photometric testing will be conducted as per IESNA Standard.