

# J-FT04254HO

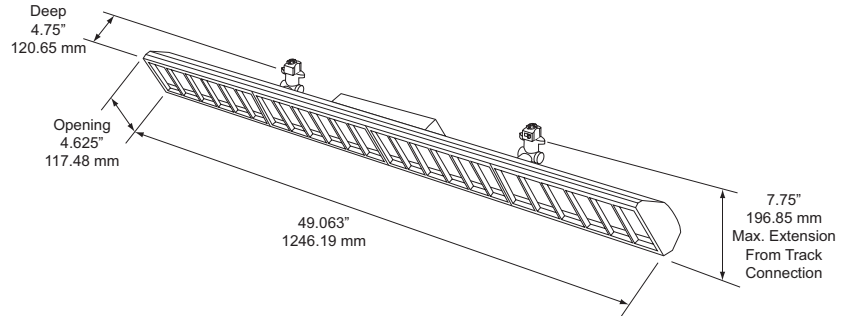
## 54W High Output Fluorescent Track Fixture Heads

Catalog # : \_\_\_\_\_

Project : \_\_\_\_\_

Type : \_\_\_\_\_

Comments : \_\_\_\_\_



### DESCRIPTION

4-ft track mounted, energy efficient, high output fluorescent fixture. Combines a super compact, two 54W high output T5 linear style. Suitable for retail and commercial wall wash and display lighting. Available in one colour: White.

### DESIGN FEATURES

#### • Features

- Single piece extruded aluminum housing.
- Die cast end caps.
- Dual positioning swivels on track adapters.
- Powder coated paint finish.
- Smooth and clean appearance.

#### • Reflector

- Specular aluminum reflector.
- Precision reflection angles provides smooth illumination along wall space.

#### • Louver

- Specular silver louver.
- No tools hidden fasteners for easy removal.

#### • Mounting

- Integral track mounting adapters.
- Track polarity indicator.
- On/off switch on mounting adapter.

#### • Lamp

- Two 54W, high output T5, fluorescent lamps (not included).
- Average lamp ratings: 20,000 hours.

#### • Ballast

- Rapid start ballast.
- Minimum starting temp: -20°C.
- Electronic energy efficient ballast.
- Low harmonic distortion, with sound rating of "A" for quiet operation.
- End-of-life automatic shut-off circuit protection.

#### • Input/Output

- 120V 60Hz

#### • Accessories

- See Track accessories in our Catalogue.

#### • Availability

- Available with Juno® and Lightolier® track heads. For Lightolier® track head replace prefix with "L".

### Ordering Information

Cat. No.	Finish
-- J-FT04254HO	-- -WH : White

Example : J-FT04254HO-WH

\* Juno® is a registered trademark of Juno Lighting.

\* Lightolier® is a registered trademark of Canlyte.



**Liteline Corporation**

8 Abacus Road, Brampton, ON  
L6T 5B7

Tel: 416-996-1856  
Fax: 905-794-1990

Email: sales@liteline.com  
Website: liteline.com